



Center Drag Box Kits

SAFETY PRECAUTIONS

- ALWAYS WEAR EYE PROTECTION, GLOVES AND LONG SLEEVES WHEN OPERATING.
- TO AVOID FLASHING OF THE MATERIAL, ALWAYS MAINTAIN A MATERIAL TEMPERATURE BELOW 400°F.
- DO NOT RIDE OR STAND ON THE DRAG BOX AT ANY TIME.
- READ AND FOLLOW OPERATOR INSTRUCTIONS. FAILURE TO DO SO COULD RESULT IN INJURY OR DEATH.

CENTER DRAG BOX KITS AVAILABLE

57885 – 10" & 4" CENTER DRAG BOX KIT
57886 – 24" CENTER DRAG BOX KIT

58517 – 3' WIDE CENTER DRAG BOX KIT
58520 – 4' WIDE CENTER DRAG BOX KIT

REQUIRED PARTS

The Center Drag Box is compatible with any model year Patcher II, and will need to be used with any of the following Crafco Chutes:

Part No. 56825 – Non-Heated Material Chute Assembly, Patcher II (any model year)

Part No. 56830 – Heated Material Chute Assembly, Patcher II (model year 2015 and older)

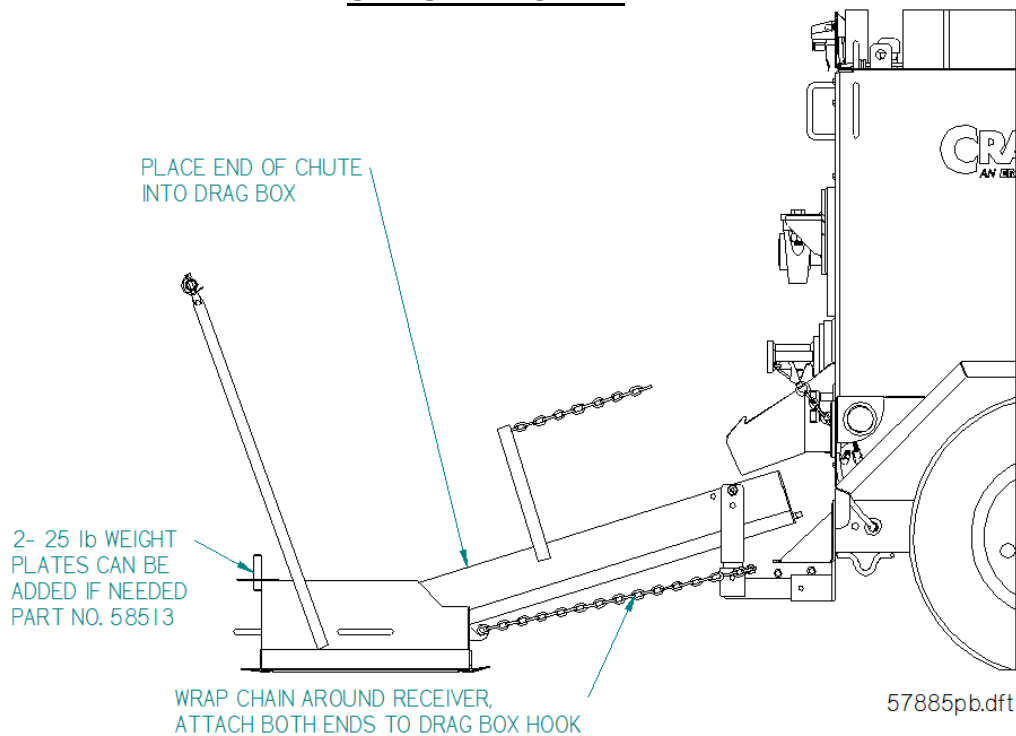
Part No. 57783 – Heated Material Chute Assembly, Patcher II (model year 2016 and newer)

OPERATOR INSTRUCTIONS

The Center Drag Box is designed for applying hot melted mastics from the Patcher II (that is equipped with either a heated or non-heated chute) for repairs that are fairly straight and long, that can be straddled by the Patcher II. The Patcher II will need to be towed over the repair area so the workers can move the Drag Box side to side in order to follow the repair more accurately.

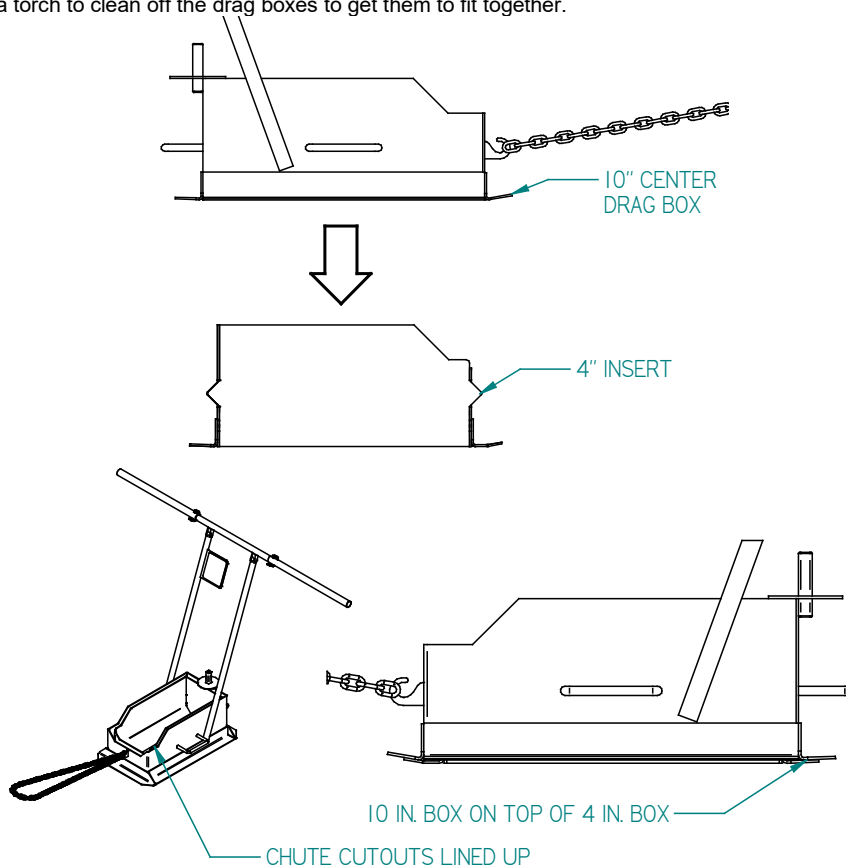
- 1.) Get the Patcher II up to temperature and ready to pour with the required amount of material to complete the repair.
- 2.) Use a bucket under the chute to capture the first pour to get any unmixed material, and place it back into the Patcher II.
- 3.) Place the Drag Box at the back of the machine and attach the chain to the front hook, wrapping it around the round receiver tube of the chute, then back to the front hook
- 4.) Position either the heated or non-heated chute into the Drag Box centering it in the alignment groove. Once the chute is placed properly, it should follow the Drag Box while it is in use.
- 5.) You can use a torch to heat up the sides of the Drag Box and chute if needed.
- 6.) Open the gate on the Patcher II so that material flows into the Drag Box filling it to at least 1" depth. Have the driver slowly start moving the Patcher II following the repair area. As the Patcher II starts moving, meter the flow of material going into the Drag Box to keep it full enough to apply a nice clean band of material that is the full width of the Drag Box. The operators of the Drag Box can direct it side to side to follow the repair area more accurately. Allow the Patcher II to pull the Drag Box. All the operator needs to do is control the side to side movement.
- 7.) When getting to the end of the repair area, try to meter the material so it runs out close to where the repair will end. A piece of tar paper can be placed on the ground at the end of the repair to have a nice sharp finish line. Run the Drag Box over the tar paper and stop, allowing any extra material to be applied to the tar paper instead of on the road surface.
- 8.) When finished, the Drag Box and chute will need to be heated with a torch and scraped clean.
- 9.) Do not allow material to build up on the base of the Drag Box or the repair area will not have a nice clean band of applied material. You want the skids of the Drag Box to be sliding across the ground, not on built up cold chunks of material.
- 10.) Optional 25 lb weight plates can be added to the post on the rear of the Drag Box if needed.
- 11.) If you are not getting a clean band of material after using the Drag Box, the material might be too cold, you have built up material on the bottom of the Drag Box, or conditions require using the 25 lb weight plates to keep the box pressed down to the ground for a clean application.

SET UP DIAGRAM

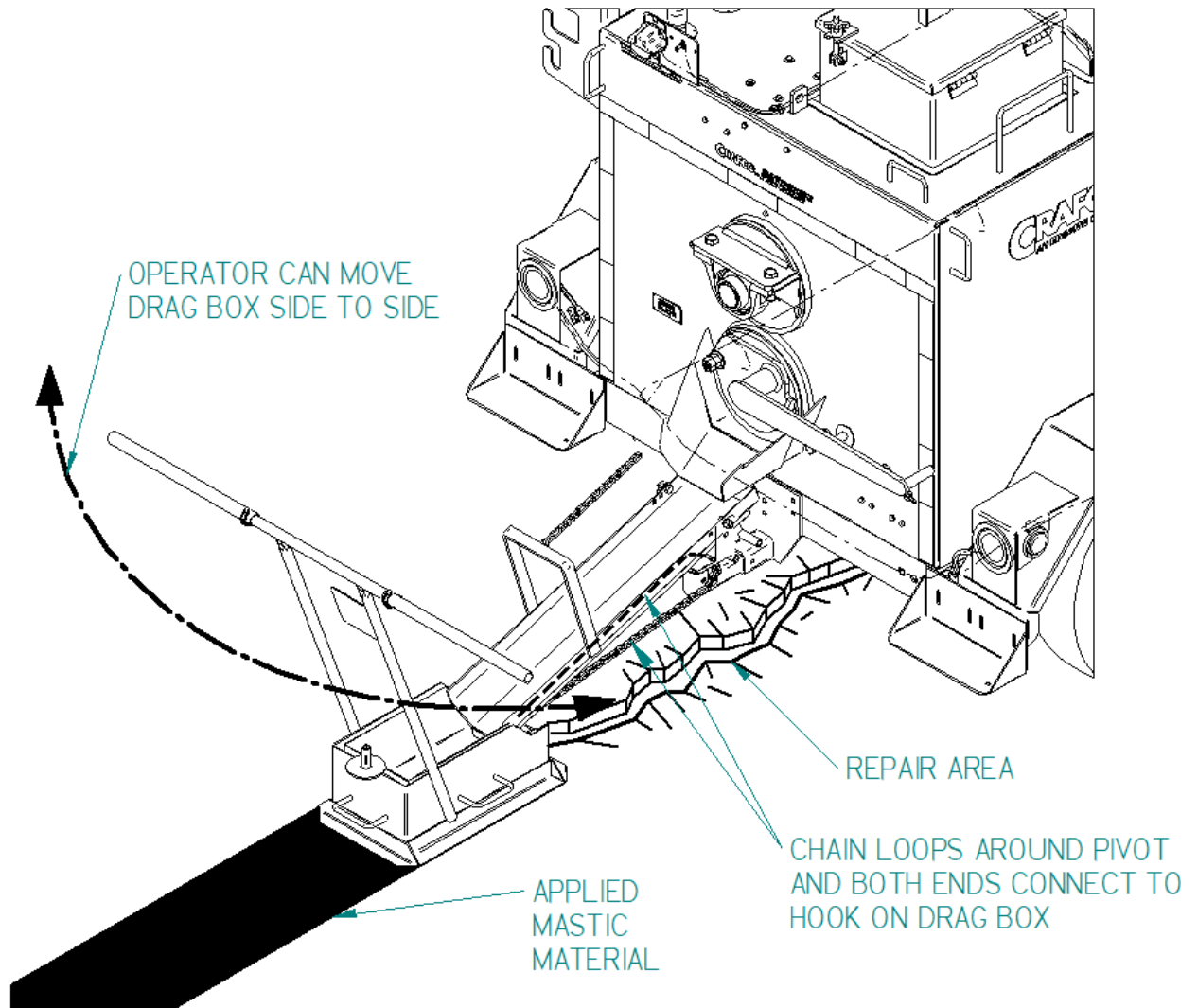


SET UP DIAGRAM – 10" & 4" VERSION

The 57885 10" & 4" Center Drag Box kit comes with a 4" insert. If you want to use the 4" insert to make a 4" wide patch, place the 10" box over the top of the 4" box, and use as you normally would. The 4" insert is only compatible with the 10" Center Drag Box. You may have to use a torch to clean off the drag boxes to get them to fit together.



OPERATION DIAGRAM

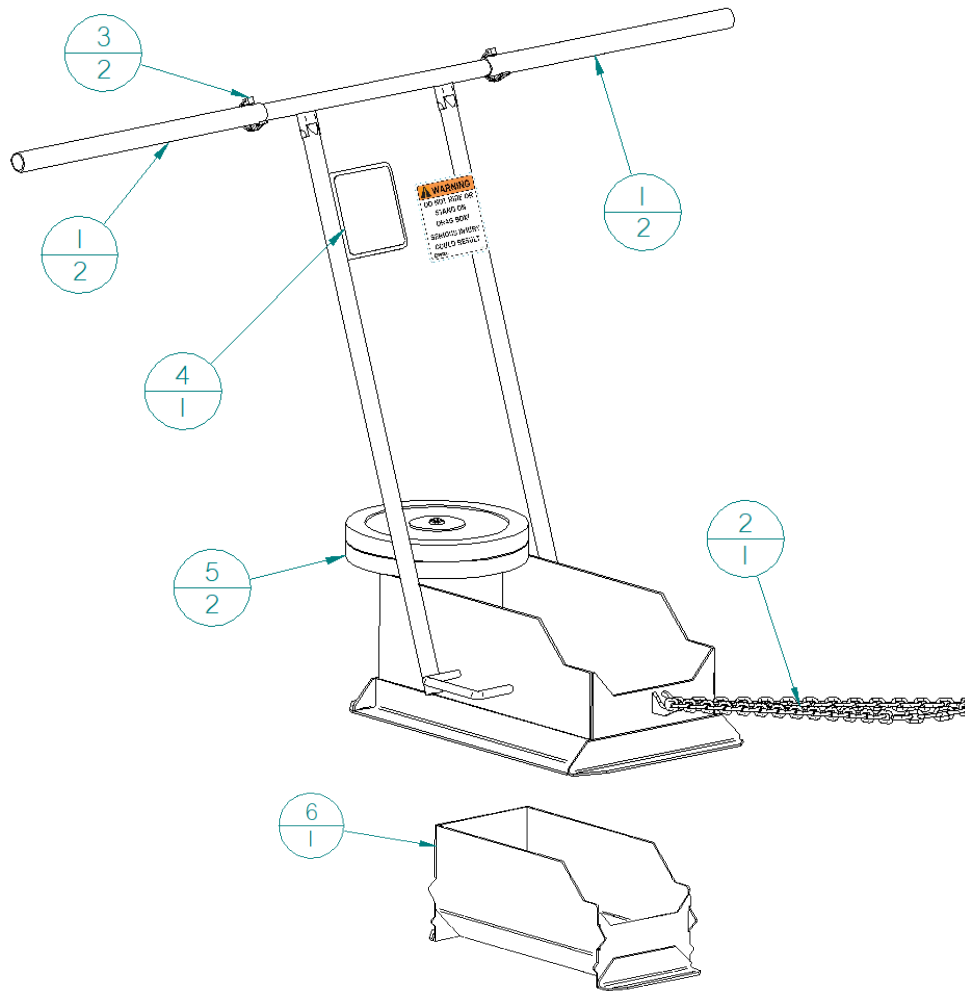


OPTIONAL PARTS

There are optional 25 lb weight plates that can be used with the Center Drag Box to add more weight if conditions require it. Up to 2 can be added to the Drag Box at one time. **Please Note:** The 3' and 4' wide drag boxes will not hold the optional weights.

Part No. 58513 – 25 lb Weight Plate

REPLACEMENT PARTS



Item Number	Document Number	Quantity	Title
1	57881	2	HANDLE EXTENSION, DRAG BOX
2	57882	1	53" OF 3/16" CHAIN
3	57883	2	PIPE LOCKING PIN 5/16"
4	58512	1	DRAG BOX WARNING LABEL
5	58513	2	25 lb WEIGHT PLATE
6	58530N	1	4 IN. CENTER DRAG BOX INSERT

WARRANTY & LIABILITY INFORMATION

Crafco, Inc. only warrants that this product conforms to Crafco, Inc. specifications at the time of delivery. Crafco, Inc. assumes no liability for an accident or injury incurred through improper use of the machine.

For Warranty:
 Crafco, Inc.
 25527 South Arizona Avenue, Chandler, AZ 85248
 Phone: (480) 655-8333 or (800) 528-8242
 Fax: (480) 655-1712

For all other inquiries:
 Crafco, Inc.
 6165 W. Detroit St., Chandler, AZ 85226
 Phone: (602) 276-0406 or (800) 528-8242
 Fax: (480) 961-0513
 CustomerService@crafco.com